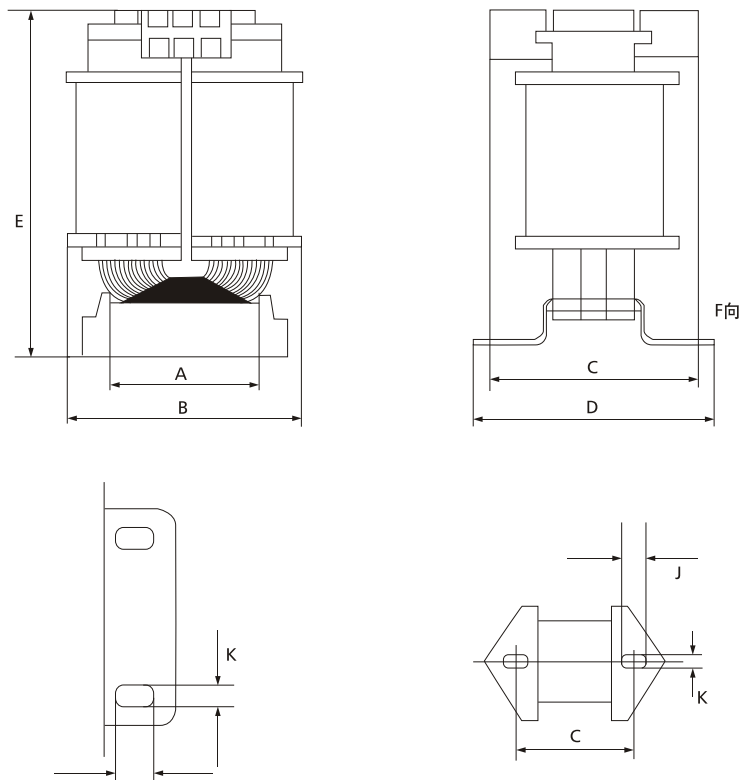


BCK Control Transformer

The scope of application

Apply to 50 Hz - the 60Hz AC circuit, widely used in the electronics industry or the mining industry and machine tools and machinery for general electrical equipment in the control of power.

Outline and installation dimension



Type	Installation size(mm)		installation hole K×J	Overall size(mm)		
	A	C		B	D	E
BKC-25VA		64	4.5×6.5	83	58	83
BKC-50VA	50	57	5×8	70	80	98
BKC-100VA	56	80	6×9	79	103	110
BKC-150VA	56	80	6×9	83	103	125
BKC-200VA	80	78	6×9	100	99	137
BKC-250VA	78	78	6×9	101	98	139